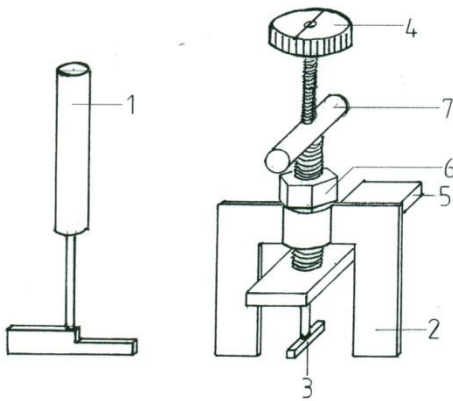


Instructions for use

item no. 11935 & 11937 – Tile lifter



- 1 Kleberex
- 2 Füße
- 3 Hebesteg
- 4 Rändelmutter mit Markierung
- 5 Nivellierplatte
- 6 Konterstück
- 7 Verstellvorrichtung

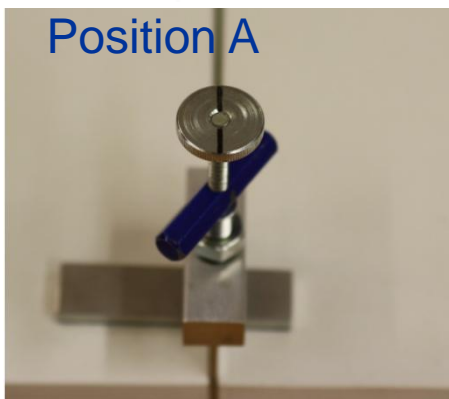
1. Put the small tool called „kleberex“ (1) into the joint, turn it by 90 degrees and edge it upwards. Remove the „kleberex“ by pulling it for about 5 cm underneath the tile.
2. Turn the lifting piece (3) to position A in alignment with the feet (2) and put it into the joint.

- | |
|--|
| <ul style="list-style-type: none"> 1 Small tool called „kleberex“ 2 Feet 3 Lifting piece 4 Knurled screw with check mark 5 Small levelling plate 6 Counter piece 7 Readjusting device |
|--|

3. Turn now the knurled screw with check mark (4) by 90° to position B so that the lifting piece (3) sits underneath the tile to lift.

4. Turn the counter piece (6) and put the longer side of the small levelling plate (5) onto the correctly layed tile.

1. Hold the small levelling plate (5). Adjust the tile that needs to be fit by turning the readjusting device (7) until it reaches the level of the correctly layed tile .
2. After setting of the adhesive: untighten the readjusting device (7), lower the lifting piece (3) , position the check mark of the knurled screw (4) parallelly to the joint (position A) then take out the tile lifter.



Position A



Position B

Phone number: 0049-8667-878-120

Copyright: Diese Bedienungsanleitung ist Eigentum der Firma Karl Dahm.
Das Nachdrucken oder Kopieren, auch auszugsweise, ist ohne Zustimmung der Firma Karl Dahm nicht gestattet.